

KIT711 / KIT712 零件包包含 [Parts package(included)] :

**F5216** M2.5x8mm  
hex socket cap-head  
内六角杯头螺丝 x4

**M5318** E3.5  
E-Clip  
E型卡环 x2

**B5505** 10x15x4mm  
Ball bearings  
滚动轴承 x1

**B5504** 8x16x5mm  
Ball bearings  
滚动轴承 x1

**B5503** 6x12x4mm  
Ball bearings  
滚动轴承 x2

**P7116**  
Diff Case  
驱动壳 x1

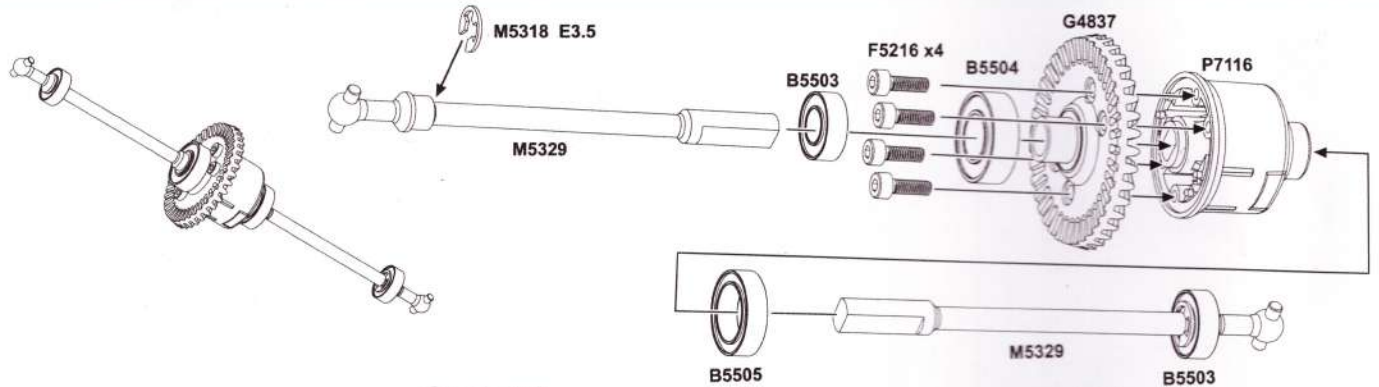
**G4837**  
37T bevel gear x1  
伞齿轮

**M5329** 6x85mm  
Slid axle dogbone  
传动狗骨轴 x2

**Cautions!**

Single front steering functions climbing structure models, only a parts package.  
Dual front and rear steering function climbing structure models, included two parts package.

注意! 单前转向功能攀爬结构型号, 只包括1个零件包。  
前后双转向功能攀爬结构型号, 包括2个零件包。



**Cautions!**

Single front steering functions climbing structure models, only a parts package.  
Dual front and rear steering function climbing structure models, included two parts package.

注意!

单前转向功能攀爬结构型号, 只包括1个零件包。  
前后双转向功能攀爬结构型号, 包括2个零件包。

KIT713 零件包包含 [Parts package(included)] :

**F5216** M2.5x8mm  
hex socket cap-head  
内六角杯头螺丝 x4

**M5318** E3.5  
E-Clip  
E型卡环 x2

**B5505** 10x15x4mm  
Ball bearings  
滚动轴承 x1

**B5504** 8x16x5mm  
Ball bearings  
滚动轴承 x1

**B5503** 6x12x4mm  
Ball bearings  
滚动轴承 x2

**P7116**  
Diff Case  
驱动壳 x1

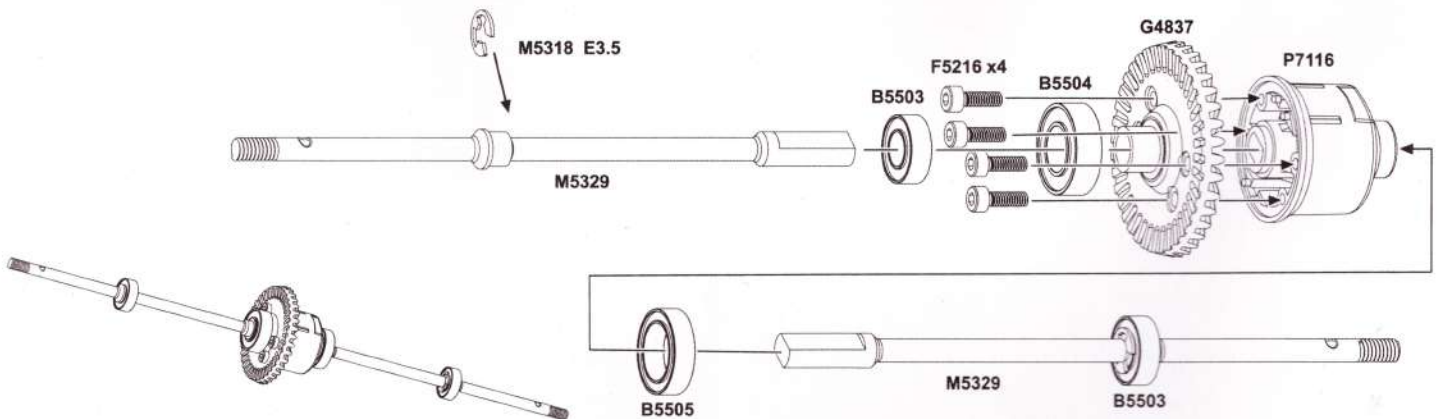
**G4837**  
37T bevel gear x1  
伞齿轮

**M5330** 6x119mm  
Slid axle dogbone  
传动狗骨轴 x2

**Cautions!**

Single front steering functions climbing structure models, only a parts package.

注意!  
单前转向功能攀爬结构型号, 只包括1个零件包。



**KIT714 零件包包含 [Parts package(included)] :**

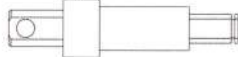
**F5225** M3  
Mylon locking  
防松螺母 x4



**F5231** M3x18mm  
hex socket button head  
内六角半圆头螺丝 x4



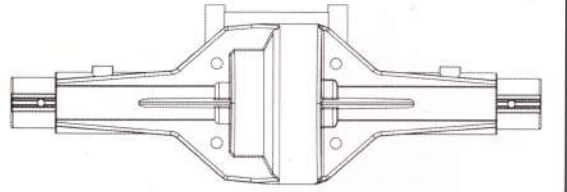
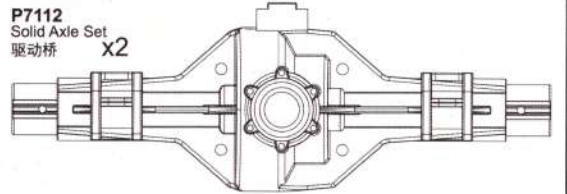
**M5328** 8x31mm  
Inputs shaft  
传动轴 x1



**M5317** E2.5  
E-Clip  
E型卡环 x1



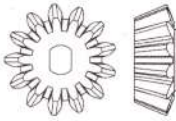
**P7112**  
Solid Axle Set  
驱动桥 x2



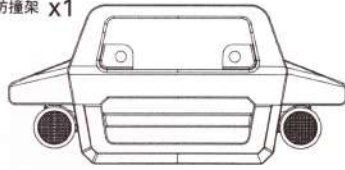
**B5503** 6x12x4mm  
Ball bearings  
滚动轴承 x2



**G4513**  
13T bevel gear  
伞齿轮 x1



**P7111**  
防撞架 x1



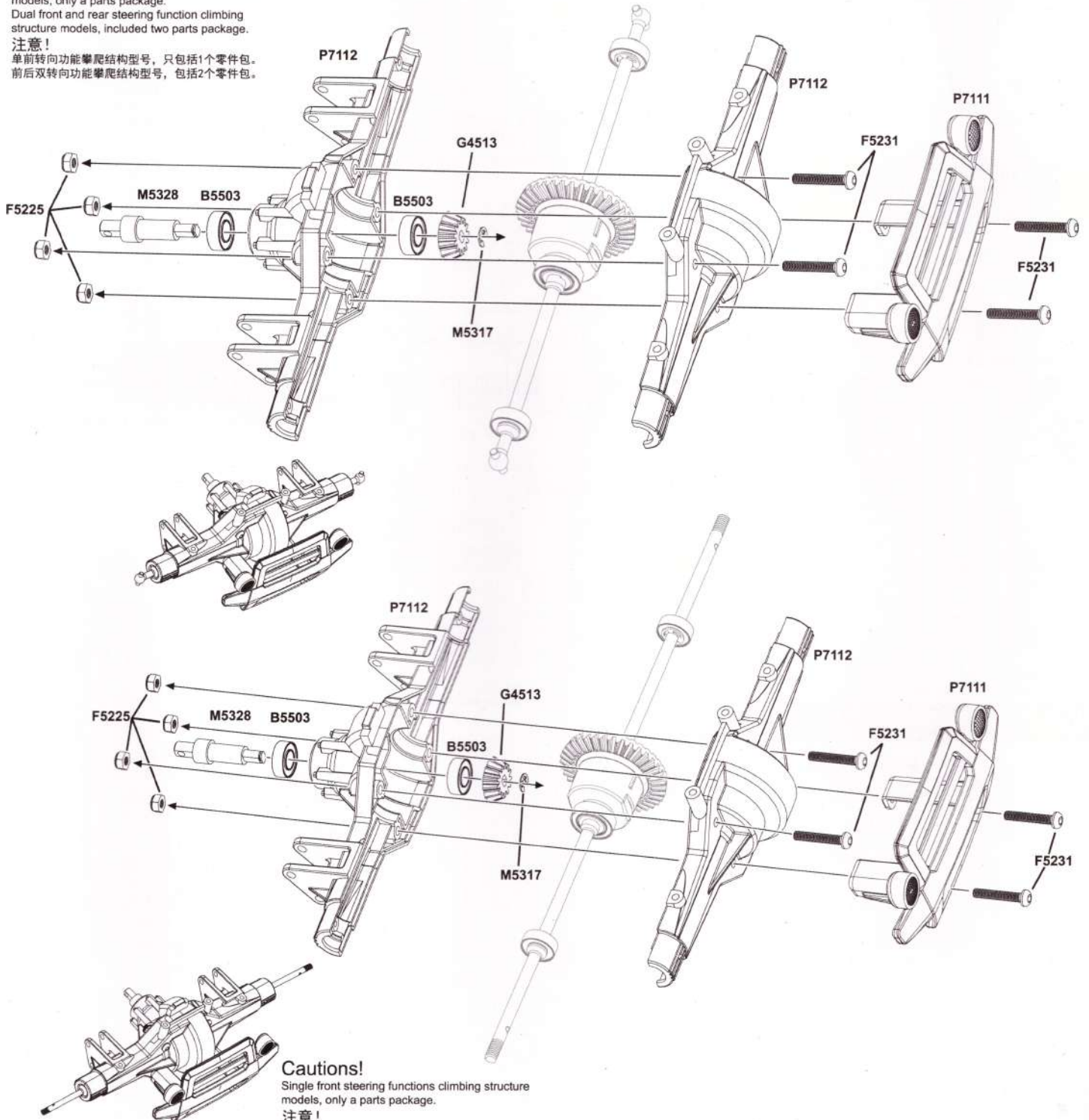
**Cautions!**

Single front steering functions climbing structure models, only a parts package.

Dual front and rear steering function climbing structure models, included two parts package.

**注意!**

单前转向功能攀爬结构型号, 只包括1个零件包。  
前后双转向功能攀爬结构型号, 包括2个零件包。



**Cautions!**

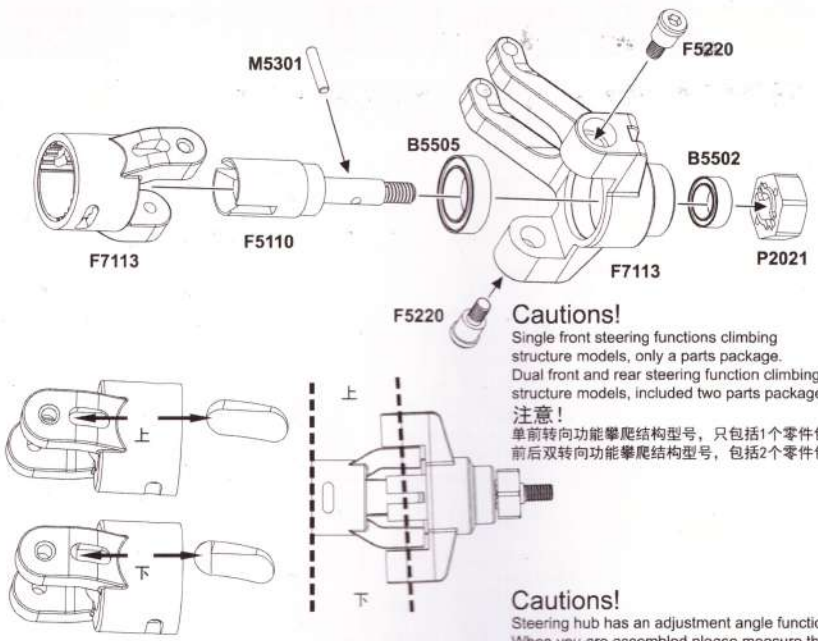
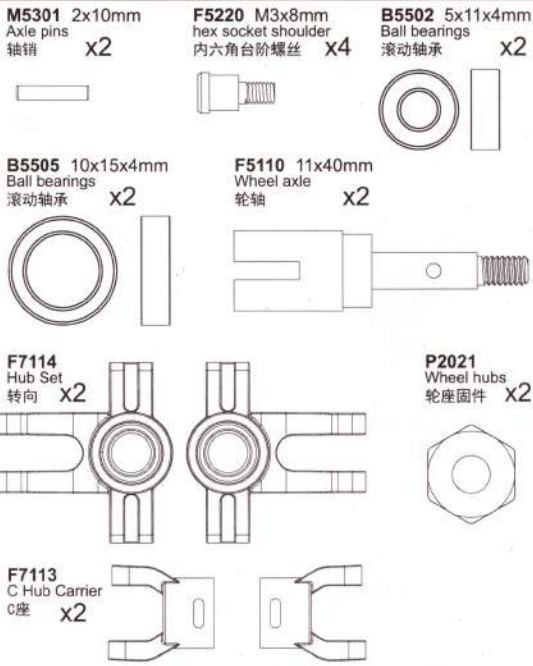
Single front steering functions climbing structure models, only a parts package.

**注意!**

单前转向功能攀爬结构型号, 只包括1个零件包。



### KIT715 零件包包含 [Parts package(included)] :

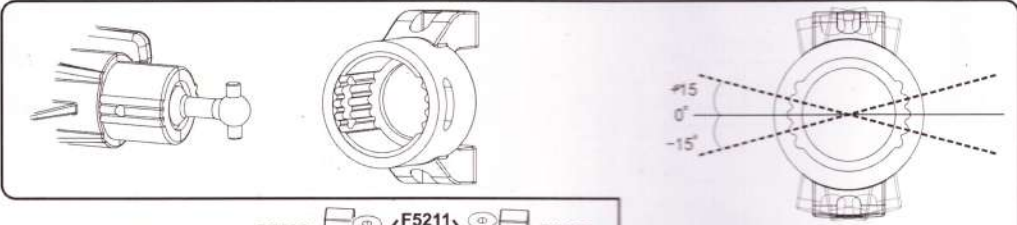
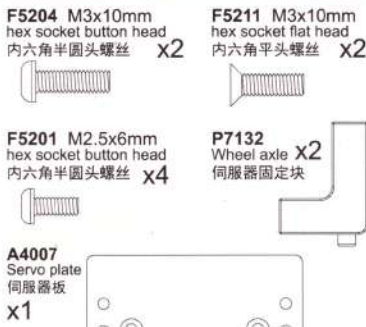


**Cautions!**  
Single front steering functions climbing structure models, only a parts package.  
Dual front and rear steering function climbing structure models, included two parts package.  
**注意!**  
单前转向功能攀爬结构型号, 只包括1个零件包。  
前后双转向功能攀爬结构型号, 包括2个零件包。

**Cautions!**  
Steering hub has an adjustment angle function. When you are assembled please measure the oval holes on the top and the gap at the bottom; When finished, check the corresponding icon at the same angle.

**注意!**  
转向座拥有一个调整角度功能, 当你组装时请确认带有椭圆形孔的是在顶端, 有缺口的在下面, 完成后检查相应的图标相同的角度。

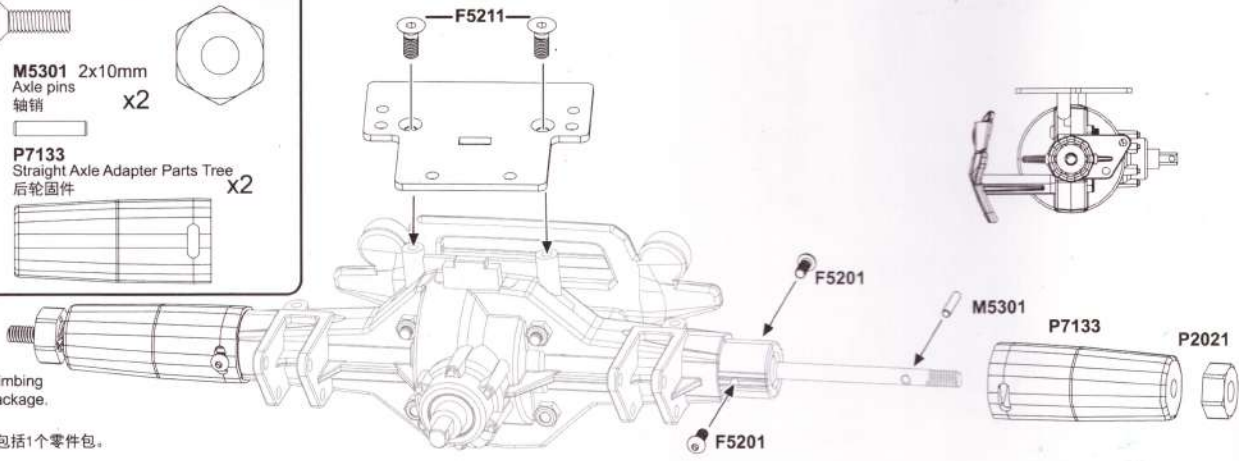
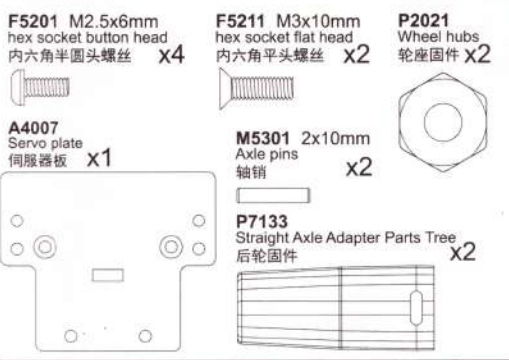
### KIT716 零件包包含 [Parts package(included)] :



**Cautions!**  
Note adjustable P7112 drive axle and P7113 C hub carrier angled lines.  
**注意!**  
注意可调P7112驱动桥和P7113 C座角度线。

**Cautions!**  
Single front steering functions climbing structure models, only a parts package.  
Dual front and rear steering function climbing structure models, included two parts package.  
**注意!**  
单前转向功能攀爬结构型号, 只包括1个零件包。  
前后双转向功能攀爬结构型号, 包括2个零件包。

### KIT717 零件包包含 [Parts package(included)] :



**Cautions!**  
Single front steering functions climbing structure models, only a parts package.  
**注意!**  
单前转向功能攀爬结构型号, 只包括1个零件包。

KIT718 零件包包含 [Parts package(included)] :

F5231 M3x18mm  
hex socket button head  
内六角半圆头螺丝 x8



F5225 M3  
Mylon locking  
防松螺母 x12



F5206 M3x15mm  
hex socket button head  
内六角半圆头螺丝 x4



F5223 M3x2.5x10mm  
Screws  
内六角螺丝 x2



P7123  
Universal Coupling Drive Joint  
驱动管 x2



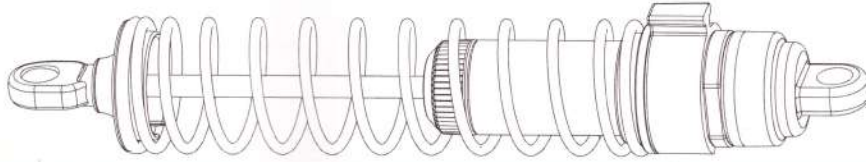
P7118  
Rod Ends  
拉杆 x4



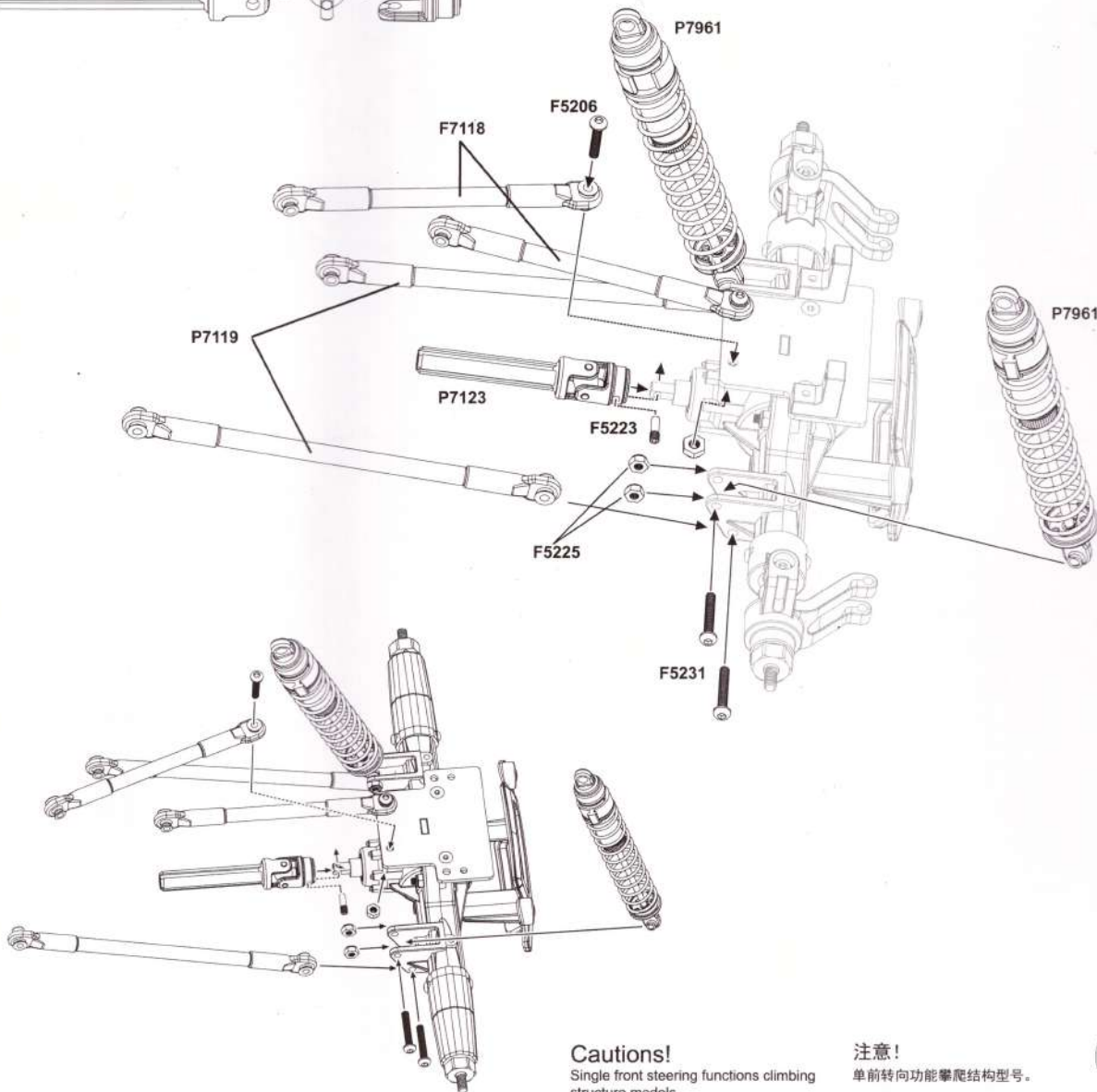
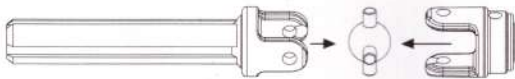
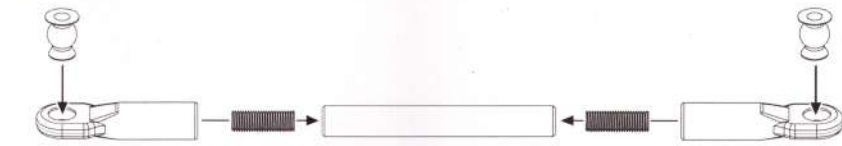
P7119  
Rod Ends  
拉杆 x4



P7961  
Rod Ends  
避震器 x4



M5311  
Hollow balls  
球头 x8

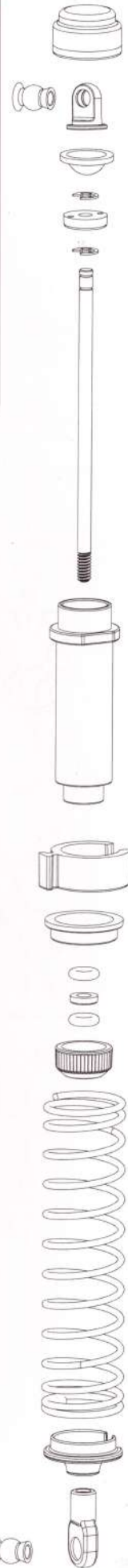


**Cautions!**

Single front steering functions climbing  
structure models.

**注意!**

单前转向功能攀爬结构型号。





**KIT719 零件包包含 [Parts package(included)] :**

**A4009**  
Plate motor  
马达固定片 x1



**M5300** 2x8mm  
Axle pins  
轴销 x1



**M5301** 2x10mm  
Axle pins  
轴销 x1



**M5327** 2.5x16mm  
Axle pins  
轴销 x1



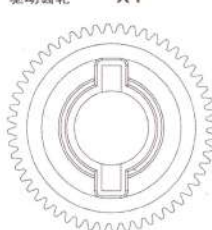
**M5325** 5x14mm  
Axle pins  
轴销 x1



**M5326** 10x54mm  
齿轮轴 x1



**G1552**  
52T Drive Gear  
驱动齿轮 x1



**G1580**  
80T Drive Gear  
驱动齿轮 x1



**G1520**  
20T Drive Gear  
驱动齿轮 x1



**G1528**  
28T Drive Gear  
驱动齿轮 x1



**F5109** 5x53mm  
Drive gear shaft  
驱动齿轮轴 x1



**F5218** M3x8mm  
hex socket cap-head  
内六角杯头螺丝 x3



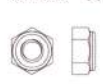
**F5231** M3x18mm  
hex socket button head  
内六角半圆头螺丝 x1



**F5233** M3x25mm  
hex socket button head  
内六角半圆头螺丝 x3



**F5225** M3  
Mylon locking  
防松螺母 x1



**F5226** M4  
Mylon locking  
防松螺母 x1



**M5313**  
Spring  
弹簧 x1



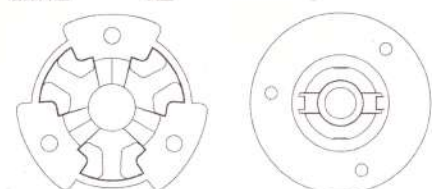
**B5507** 5x10x4mm  
Ball bearings  
滚动轴承 x4



**B5505** 5x11x4mm  
Ball bearings  
滚动轴承 x2



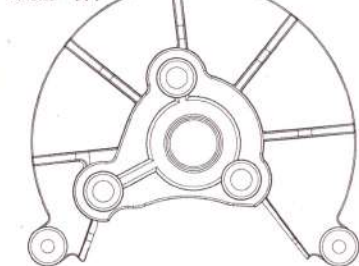
**P2039**  
Slipper pressure plate  
摩擦片座 x2



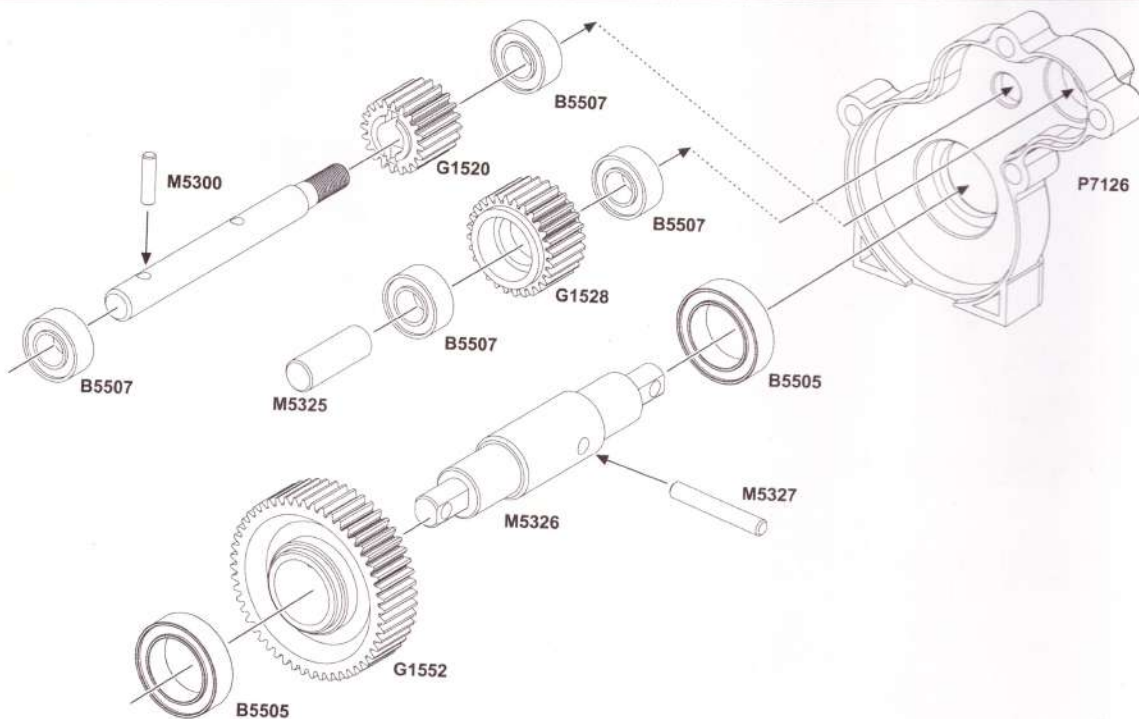
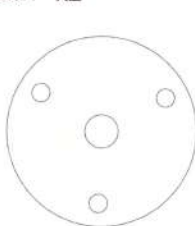
**P7126**  
Transmission Carrier  
变速箱壳 x2

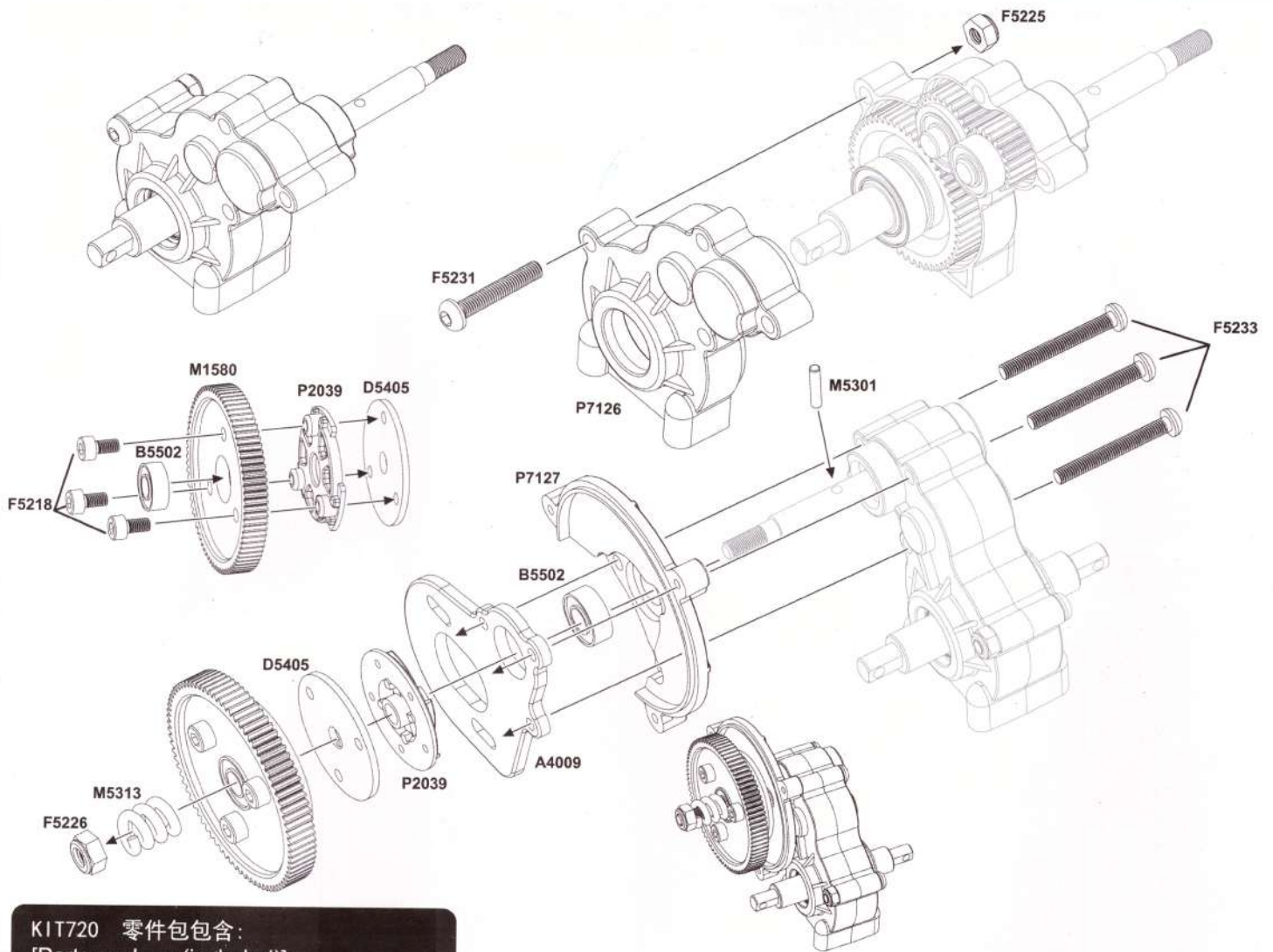


**P7127**  
gear cover  
齿轮盖 x1



**D5405**  
Slipper clutch  
摩擦片 x2





**KIT720 零件包包含:**  
**[Parts package(included)] :**

**F5216** M2.5x8mm  
hex socket cap-head  
内六角杯头螺丝 x3



**F5217** M3x6mm  
hex socket cap-head  
内六角杯头螺丝 x2



**F5204** M3x10mm  
hex socket button head  
内六角半圆头螺丝 x4



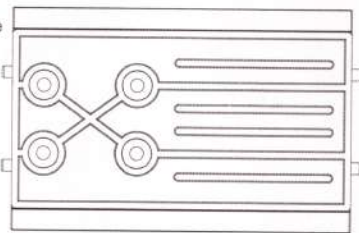
**F5223** M3x2.5x10mm  
Screws  
内六角螺丝 x2



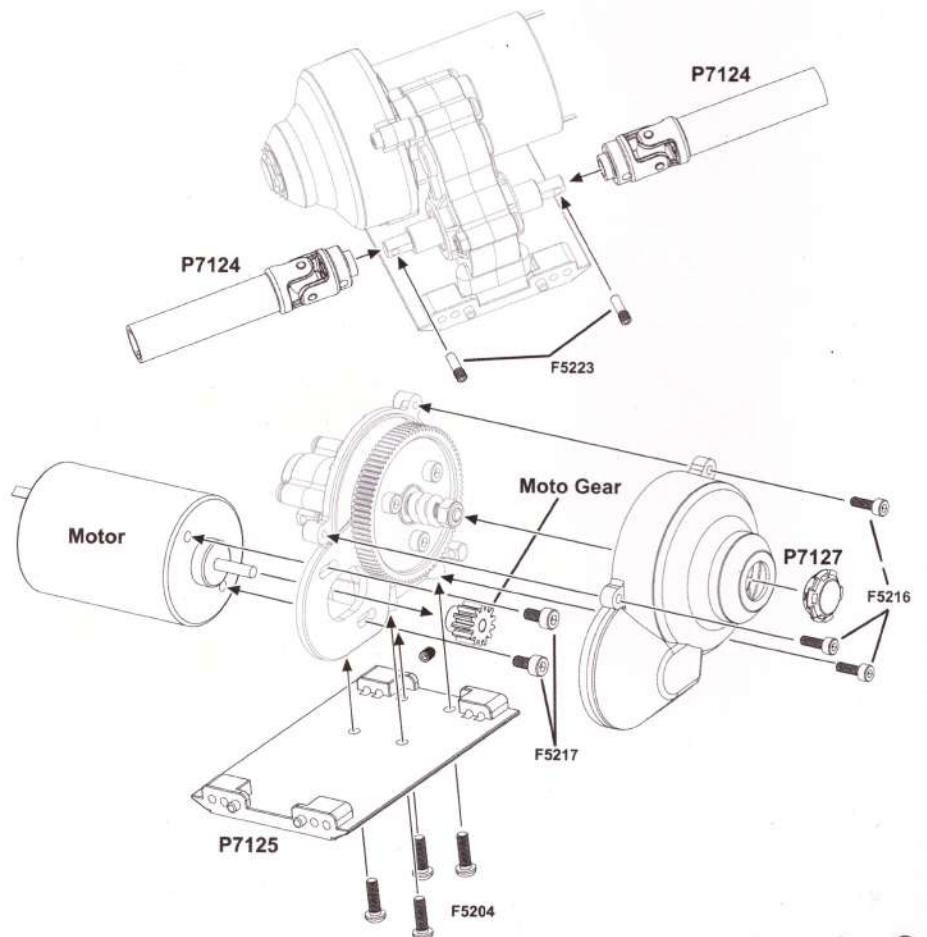
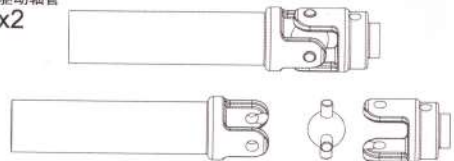
**P7127**  
gear cover  
齿轮盖 x2



**P7125**  
frame brace  
齿轮箱座  
x1



**P7124**  
Universal Coupling Drive Joint  
驱动轴管  
x2





KIT721 零件包包含 [Parts package(included)] :

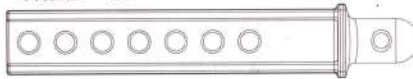
**F5211** M3x10mm  
hex socket flat head  
内六角平头螺丝 X4



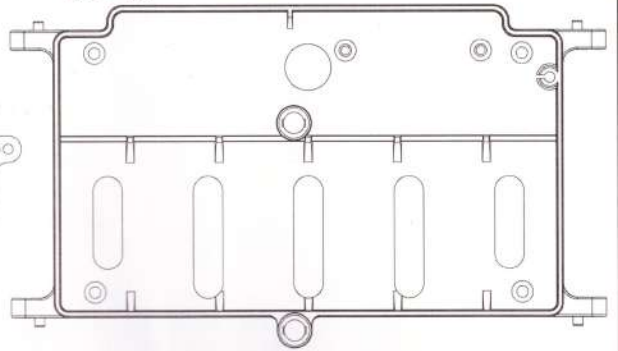
**F5204** M3x10mm  
hex socket button head  
内六角半圆头螺丝 X4



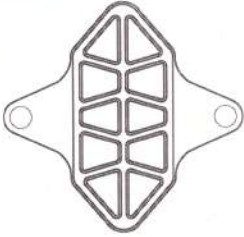
**P7130**  
body parts tree  
车壳支柱 X4



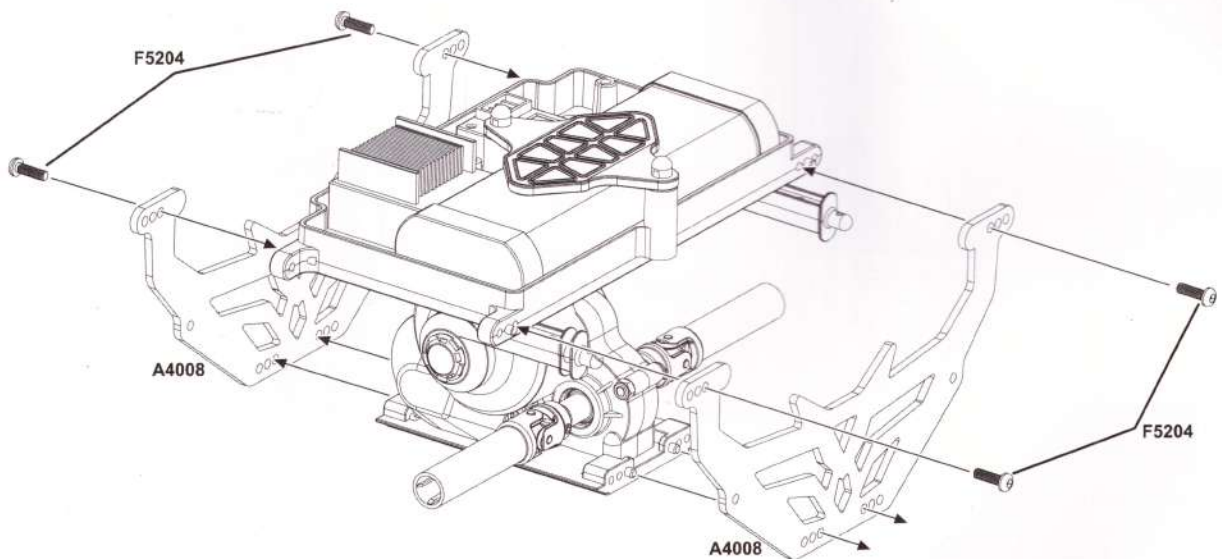
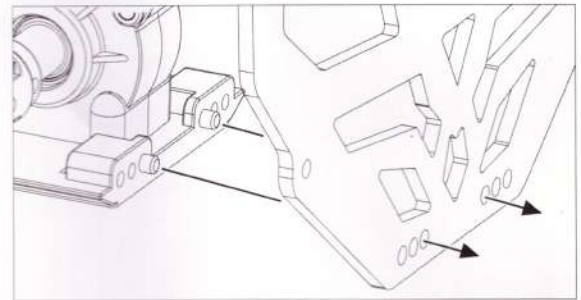
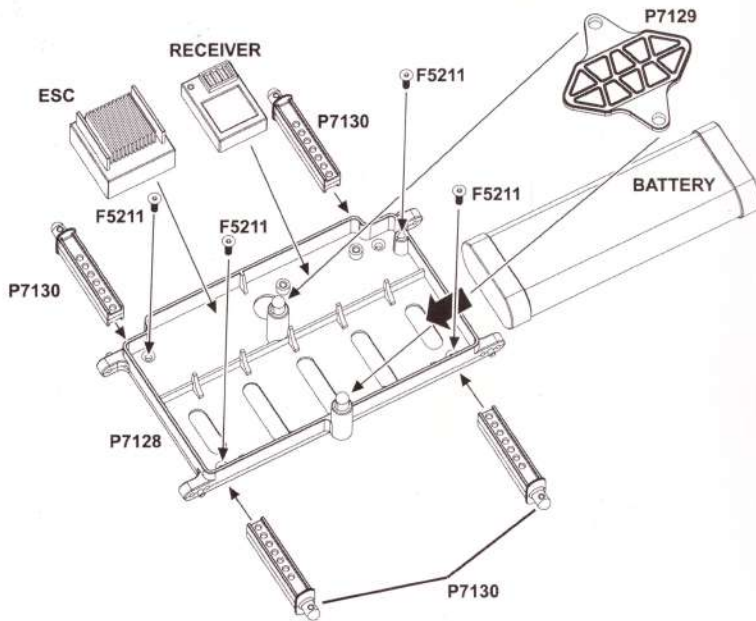
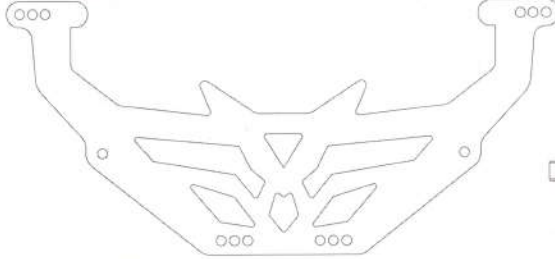
**P7128**  
Battery Holder  
电池座 X1



**P7129**  
Battery Cover  
电池压板 X1



**A4008**  
Side Plate  
金属板 X2



KIT723 / KIT724 零件包包含 [Parts package(included)] :

F5206 M3x15mm  
hex socket button head  
内六角半圆头螺丝 x7



F5234 M3x30mm  
hex socket button head  
内六角半圆头螺丝 x2



F5222 M3x6mm  
hex socket flat head  
内六角平头螺丝 x4



F5225 M3  
Mylon locking  
防松螺母 x4



F5201 M2.5x6mm  
hex socket button head  
内六角半圆头螺丝 x1



P7131  
Servo Arm  
伺服臂 x1



P7117  
Steering Rod ends  
转向拉杆 x1



F5232 M3x22 mm  
hex socket button head  
内六角半圆头螺丝 x1



F5216 M2.5x8mm  
hex socket cap-head  
内六角杯头螺丝 x1



P7120  
Rod ends  
固定拉杆 x1



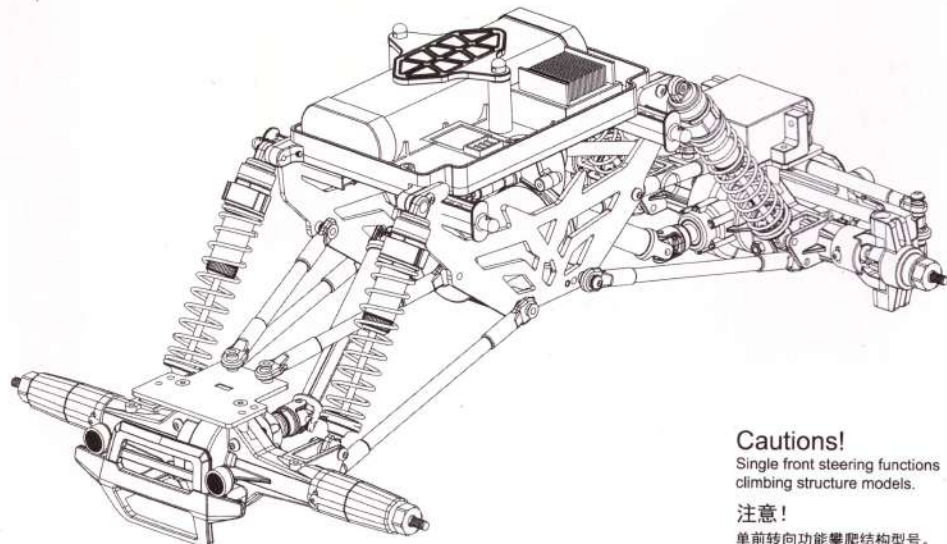
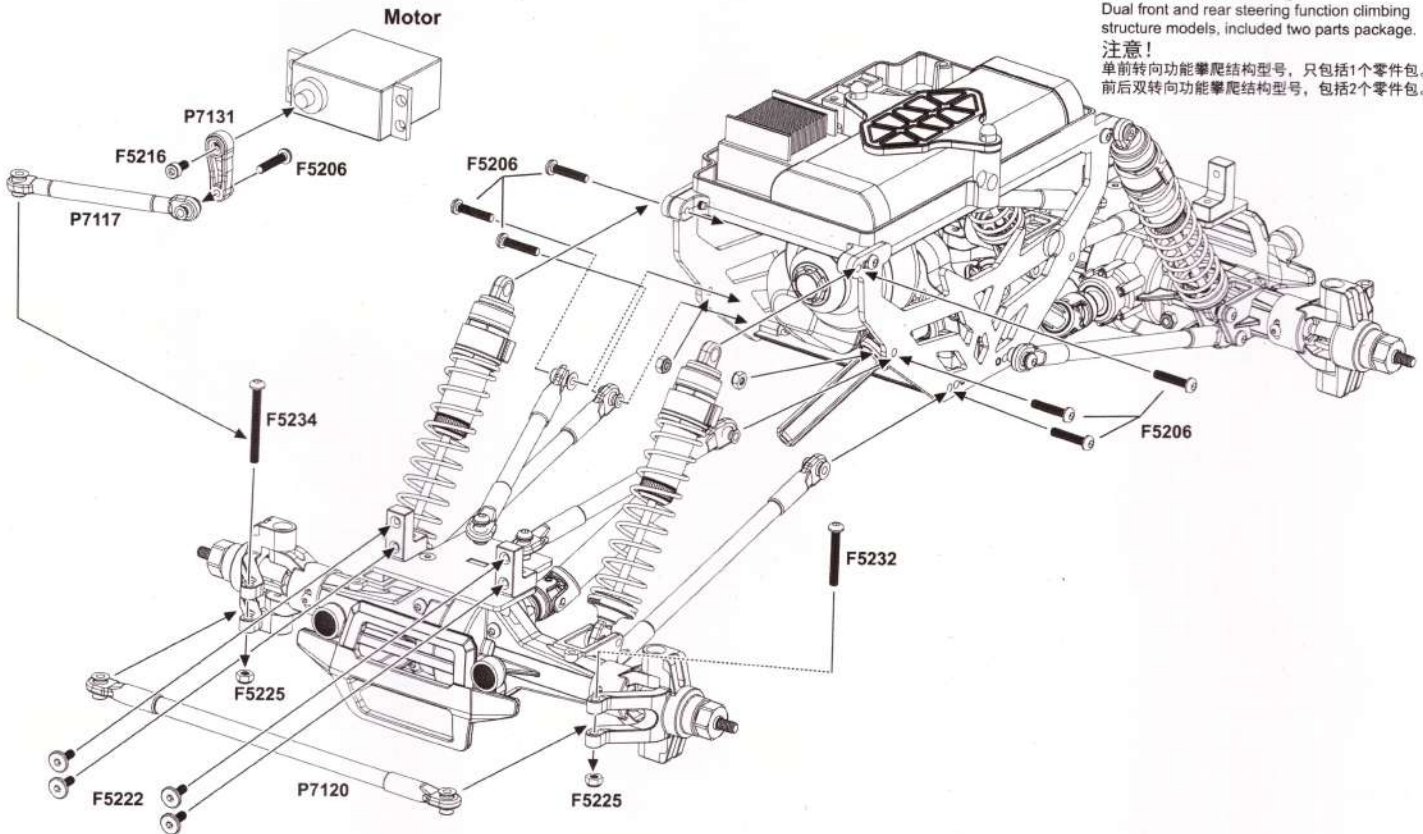
**Cautions!**

Single front steering functions climbing structure models, only a parts package.

Dual front and rear steering function climbing structure models, included two parts package.

**注意!**

单前转向功能攀爬结构型号, 只包括1个零件包。  
前后双转向功能攀爬结构型号, 包括2个零件包。



**Cautions!**

Single front steering functions climbing structure models.

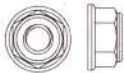
**注意!**

单前转向功能攀爬结构型号。



KIT724 零件包包含 [Parts package(included)] :

F5226 M4  
Mylon locking  
防松螺母 x4



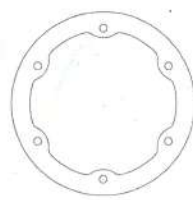
F5216 M2.5x8mm  
hex socket cap-head  
内六角杯头螺丝 x48



P7115  
wheels  
车轮 x4



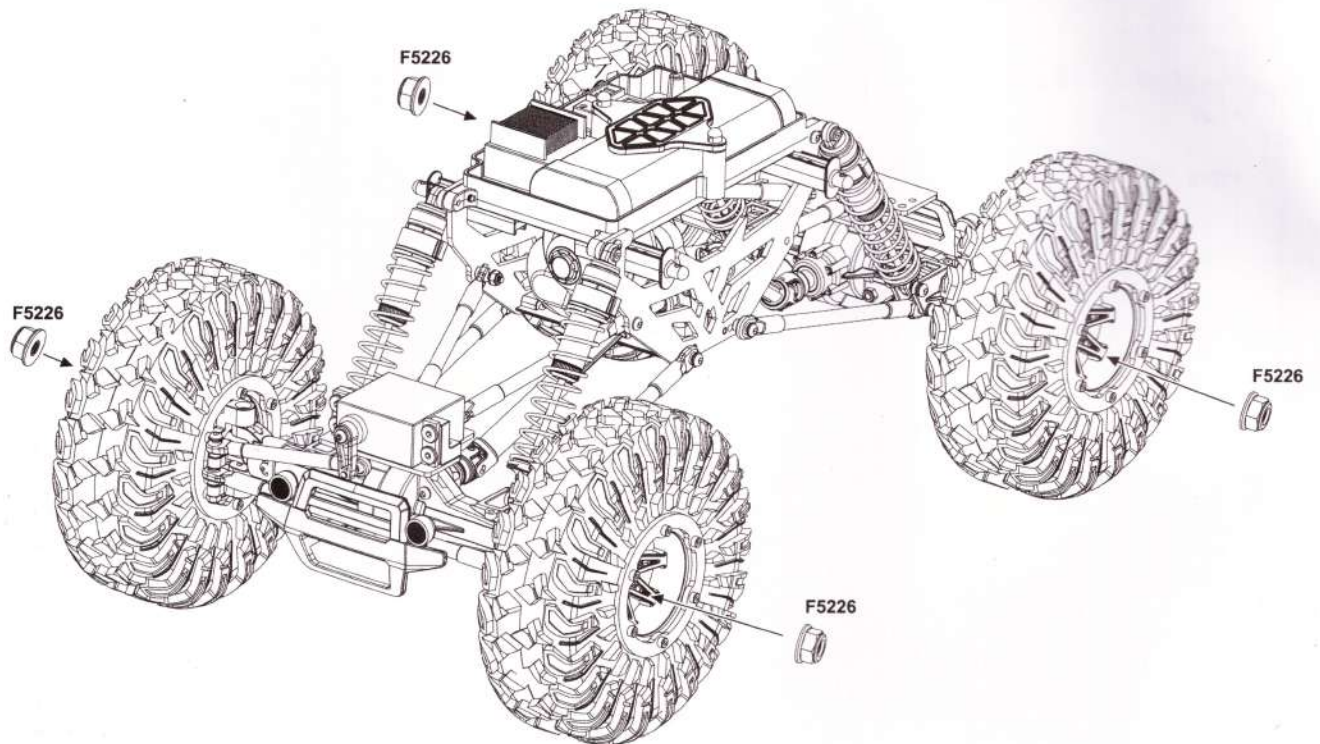
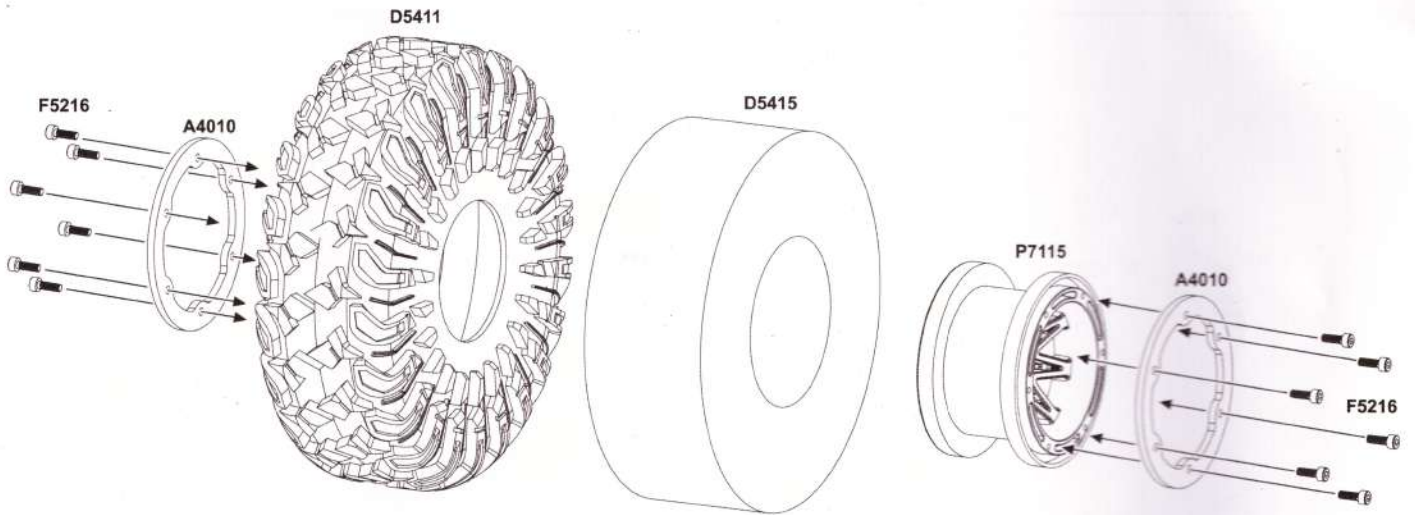
A4010  
轮胎压片 x8



D5411  
Tires  
轮胎 x4

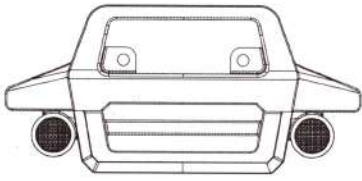


M5312  
Body Clips  
车壳铁销 x6

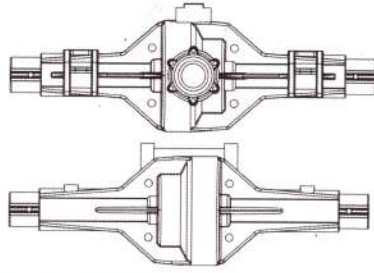


零件组合1

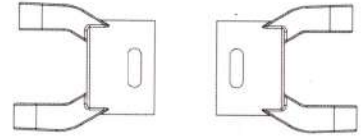
P7111  
Bumper front  
防撞架 1pc



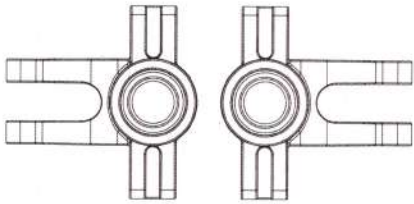
P7112  
Solid Axle Set  
驱动桥 2pc



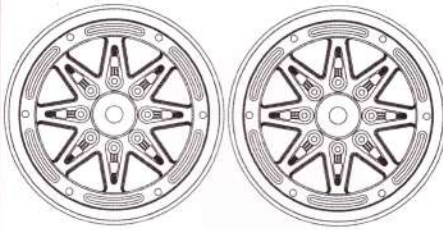
F7114  
Hub Set  
转向 2pc



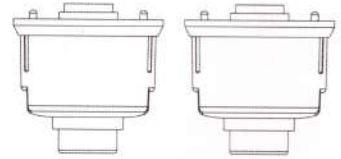
F7113  
C Hub Carrier  
C座 2pc



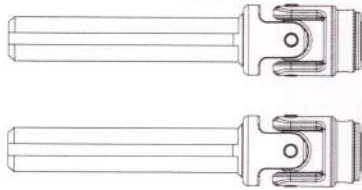
P7115  
Wheels  
车轮 2pc



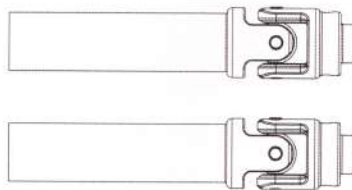
P7116  
Diff Case  
驱动壳 2pc



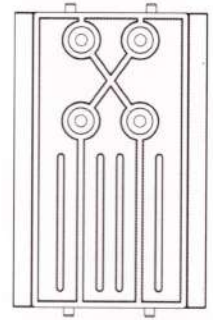
P7123  
Universal Coupling Drive Joint  
驱动轴管 2pc



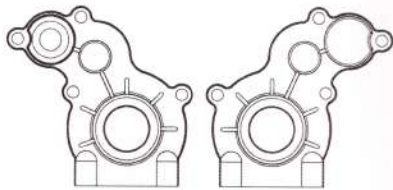
P7124  
Universal Coupling Drive Joint  
驱动轴管 2pc



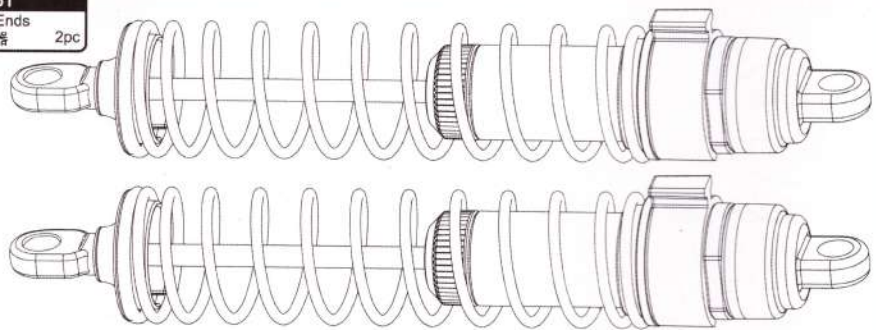
P7125  
Frame Brace  
齿轮箱座 1pc



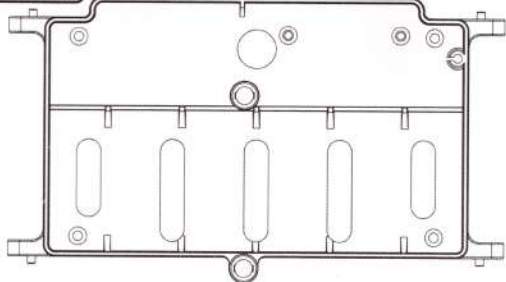
P7126  
Transmission Carrier  
变速箱壳 2pc



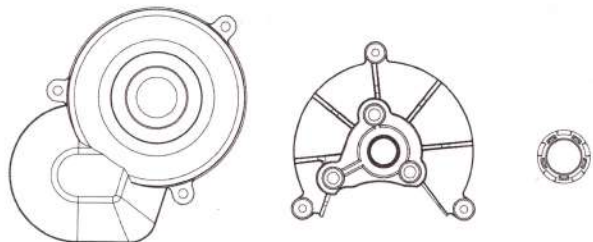
P7961  
Rod Ends  
避震器 2pc



P7128  
Battery Holder  
电器底板 1pc



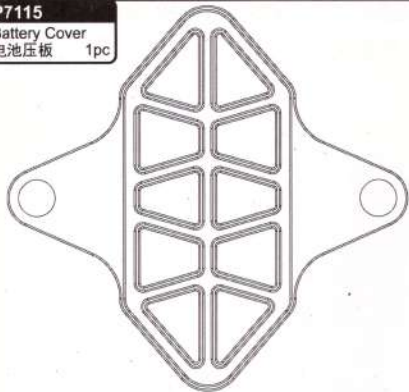
P7127  
Gear Cover  
齿轮盖 3pc



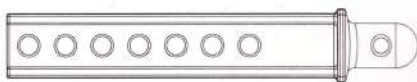


零件组合2

**P7115**  
Battery Cover  
电池压板 1pc



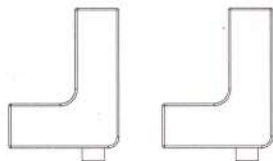
**P7130**  
Body Parts Tree  
车壳支柱 4pc



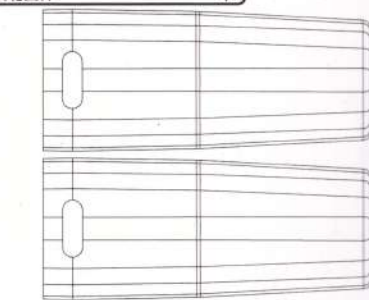
**P7131**  
Servo Arm  
伺服臂 1pc



**P7132**  
Wheel Axle  
伺服器固定块 2pc



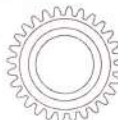
**P7133**  
Straight Axle Adapter Parts Tree  
后轮固件 2pc



**G1951**  
Gear Package  
驱动齿轮组 3pc



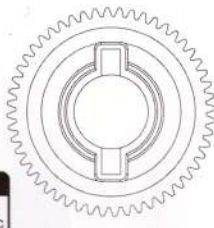
**G1528**  
28T Drive Gear  
驱动齿轮 1pc



**G1520**  
20T Drive Gear  
驱动齿轮 1pc



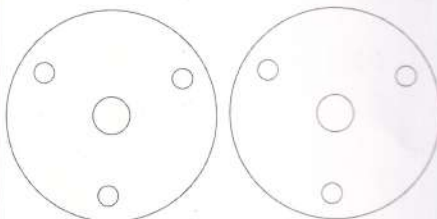
**G1552**  
52T Drive Gear  
驱动齿轮 1pc



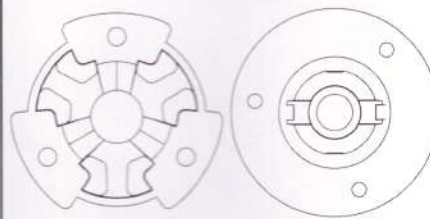
**G1580**  
80T Drive Gear  
驱动齿轮 1pc



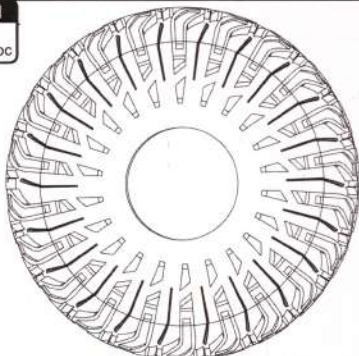
**D5405**  
Slipper clutch  
摩擦片 2pc



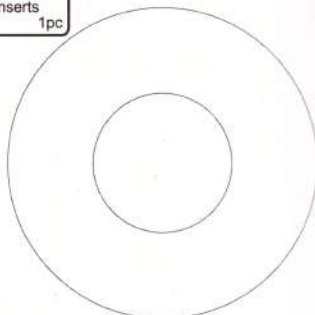
**P2039**  
Slipper pressure plate  
摩擦片座 2pc



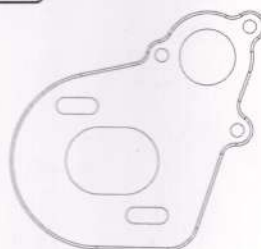
**D5411**  
Tires  
轮胎 1pc



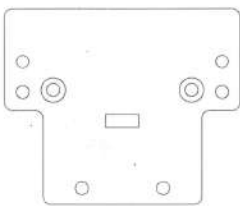
**D5415**  
Foam inserts  
内衬 1pc



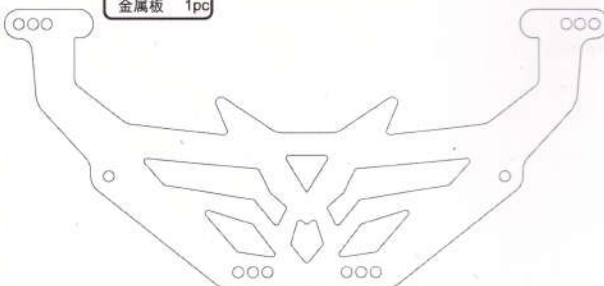
**A4009**  
Plate Motor  
马达固定片 1pc



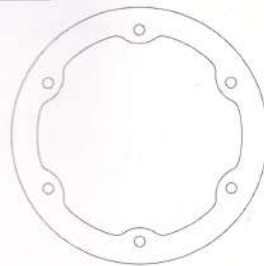
**A4007**  
Servo Plate  
伺服器板 1pc



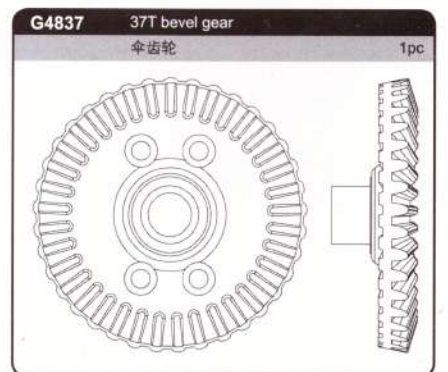
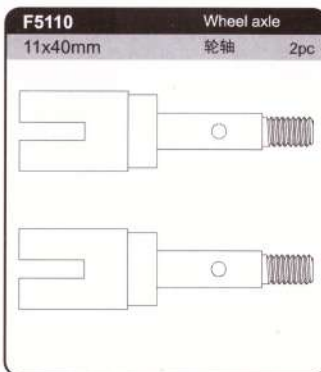
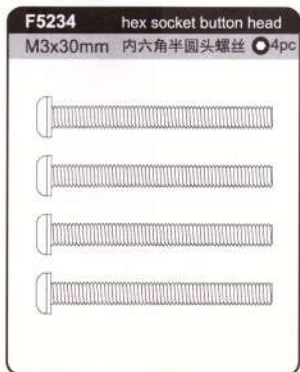
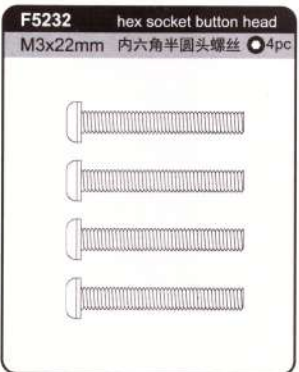
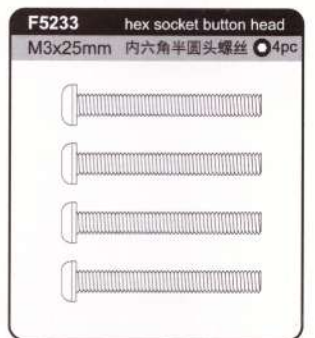
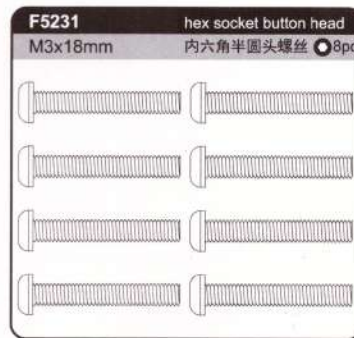
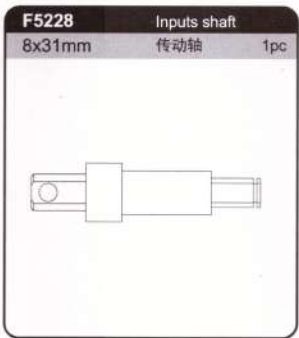
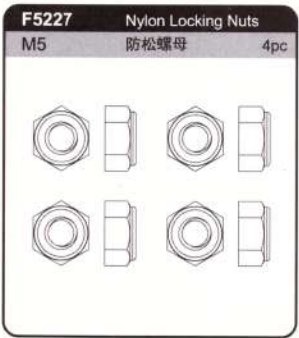
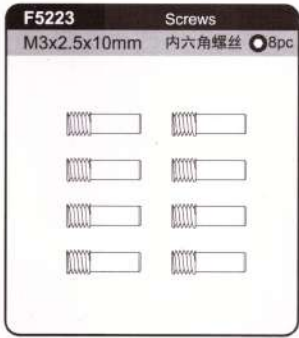
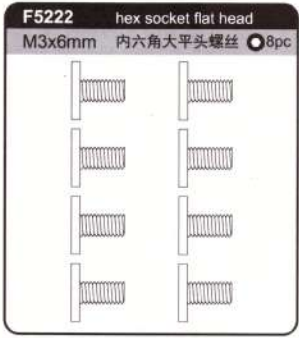
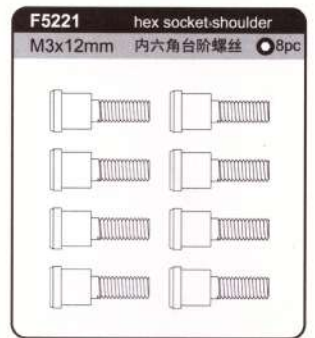
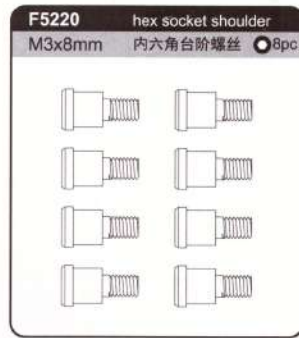
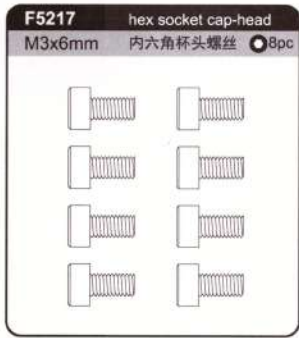
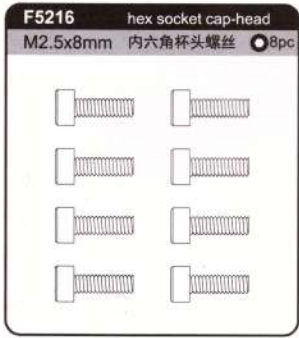
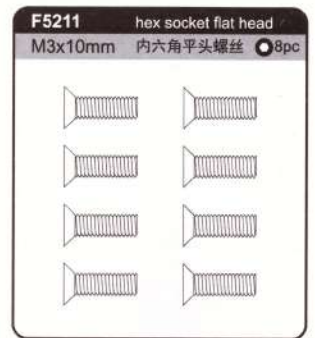
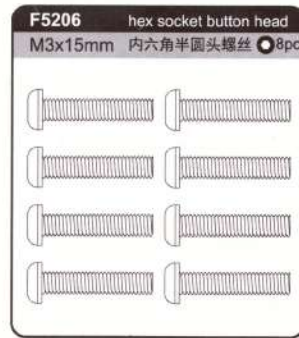
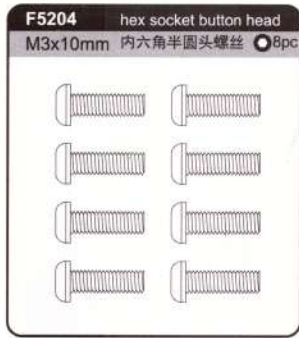
**A4008**  
Side Plate  
金属板 1pc



**A4010**  
轮胎压片 2pc



配件销售图





配件销售图

**G4513** 13T bevel gear  
伞齿轮 1pc

**B5502** Ball bearings  
5x11x4mm 滚动轴承 4pc

**B5503** Ball bearings  
6x12x4mm 滚动轴承 4pc

**B5504** Ball bearings  
8x16x5mm 滚动轴承 4pc

**B5505** Ball bearings  
10x15x4mm 滚动轴承 4pc

**B5507** Ball bearings  
5x10x4mm 滚动轴承 4pc

**M5317** E-Clip  
E2.5 E型卡环 4pc

**M5318** E-Clip  
E3.5 E型卡环 4pc

**M5313** Spring  
弹簧 1pc

**M5330** Slid axle dogbone  
6x119mm 传动狗骨轴 2pc

**M5329** Slid axle dogbone  
6x85mm 传动狗骨轴 2pc

**P7117** Steering Rod ends  
转向拉杆 2pc

78mm

78mm

**P7118** Rod Ends  
拉杆 2pc

107mm

107mm

**M5311** Hollow balls  
球头 8pc

**P7119** Rod Ends  
拉杆 2pc

143mm

143mm

**P7120** Rod Ends  
固定拉杆 2pc

168mm

168mm

**M5312** Body Clips  
车壳铁销 8pc